

# J2012 Double Balanced Mixer

2.0 to 12.0 GHz

## Technical Characteristics



Product Features		Maximum Ratings	
Multi-octave bandwidth		Storage Temperature	-65 to +100°C
Broad frequency - input and output		Operating Temperature Peak	-54 to +100°C
Wide DC to IF frequency response		Peak Input Power For Any Single Port	+23dBm Peak
Low conversion loss		Peak Input Power For Any Port	+26dBm peak
High port-to-port isolation		Peak Input Current @ +25° C	100mA

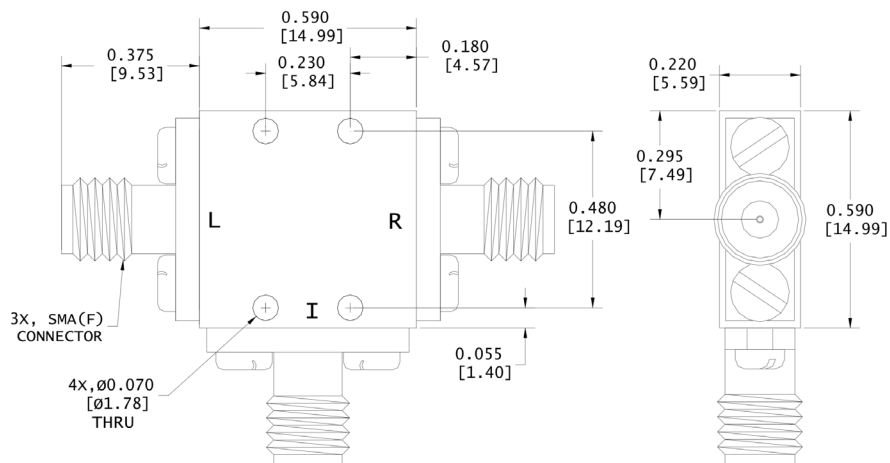
Parameters	Freq. (GHz)	Minimum	Typical	Maximum	Units	Conditions
<b>Conversion Loss</b>						
RF Input	2.0 to 12.0		5.5	7.5	dB	IF = 100 MHz
LO Input	2.0 to 12.0		7.0	8.5	dB	IF = 2000 MHz
IF Output	DC to 2.0					
<b>Conversion Flatness</b>						
<b>Isolation</b>						
LO-RF	2.0 to 8.0	28.0	35.0		dB	
LO-IF	2.0 to 12.0	18.0	25.0		dB	
RF-IF	2.0 to 12.0		30.0		dB	
VSWR						
<b>1dB Comp.Point</b>						
J2012L			1.0		dBm	
<b>LO Drive</b>						
J2012L		7.0	9.0		dBm	
J2012N			13.0		dBm	
<b>Input TOIP</b>						
J2012L			11.0		dBm	
J2012M			11.0		dBm	
J2012H			16.0		dBm	
J2012N			11.0		dBm	

**NOTES:**

1. Measured in a 50 ohm system with nominal LO drive and downconverter application only, unless otherwise specified. The I-port frequency range extends to DC for phase detection, pulse modulation, or attenuator applications. I-port VSWR degrades from a 50 Ω system at LO-IF frequencies.

2. Typical values are measured at +25°C and are not guaranteed.

**Package outline Z**



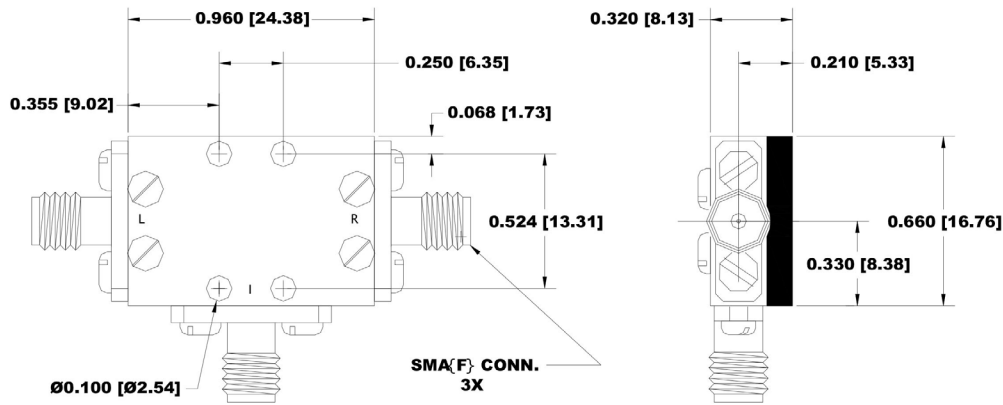
DISCLAIMER: Subject to change without notice.

# J2012 Double Balanced Mixer

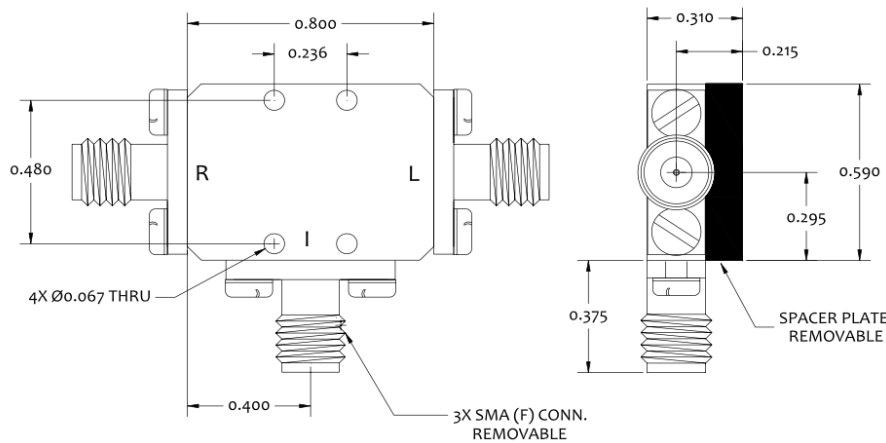
2.0 to 12.0

## Outline Drawings 1 of 2

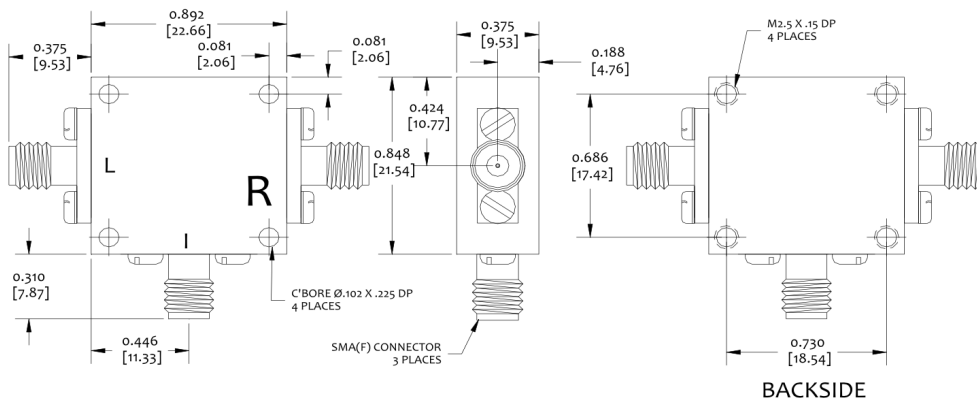
### Coaxial Package outline 'B'



### Coaxial Package outline 'L'



### Coaxial Package outline 'C'

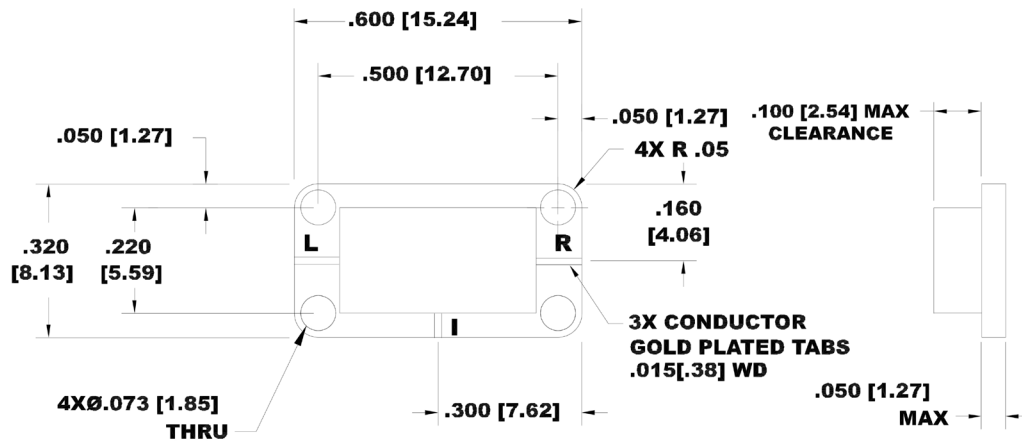


# J2012 Double Balanced Mixer

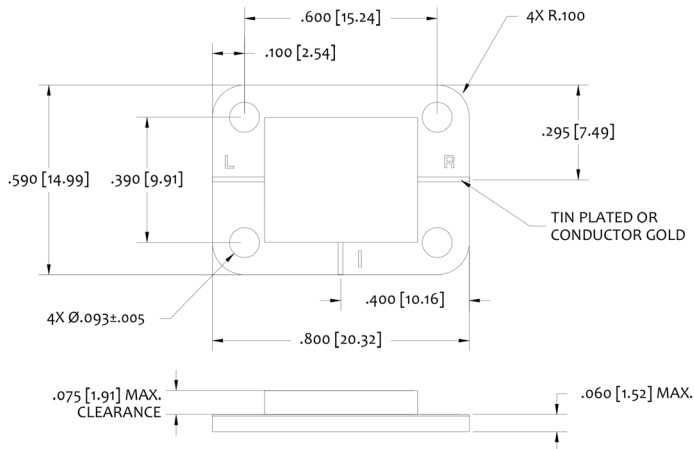
2.0 to 12.0

## Outline Drawings 2 of 2

### Drop in Package outline 'E1'



### Drop in Package outline 'F1'



### Drop in Package outline 'ZX'

